



**Your contact details:**

Title:

Name:

Company:

Customer no.

Street:

ZIP/postal code, city:

Country:

E-mail:

Phone:

## Ordering spare parts

The spare parts for Type 3248 are listed on the next pages. This document can also be used for ordering:

1. Fill in your contact data and information on the product.
2. Enter the quantity of spare parts needed.
3. Click [Send form] button to attach the PDF form to an e-mail.
4. Attach additional information (e.g. invoice, photos) to the e-mail, if necessary.
5. Send e-mail to spareparts-de@samsongroup.com.

**Either**

Configuration ID (Var-ID):

**or**

SAMSON order no.:

Position in order:

**or specifications on the nameplate**

(description of the currently valid nameplate ► **EB 8093**)

|             |                   |                   |
|-------------|-------------------|-------------------|
| 2           | Type designation: | 3248              |
| 4           | Material:         |                   |
| 6           | Valve size:       |                   |
| 7           | Pressure rating:  |                   |
| 10          | Flow coefficient: |                   |
| 11          | Characteristic:   |                   |
| 12          | Seat-plug seal:   |                   |
| 13          | Seat code:        |                   |
| Style       |                   |                   |
| Version     |                   | With bellows seal |
| Application |                   | NACE              |
|             |                   | Oxygen            |
|             |                   | Industrial gases  |
|             |                   | Chlorine          |

Send form

Print form

Clear form

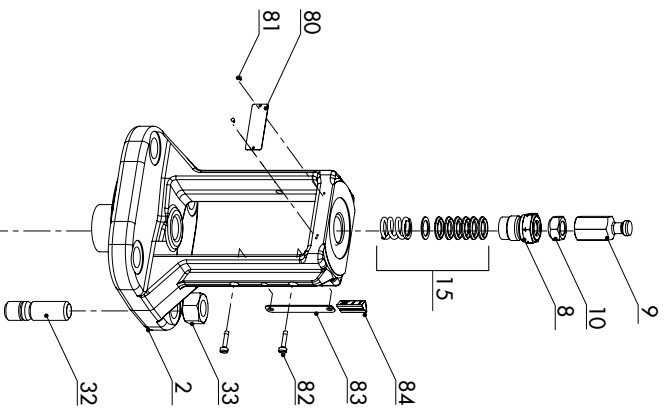
Edition November 2022

**Spare parts list**

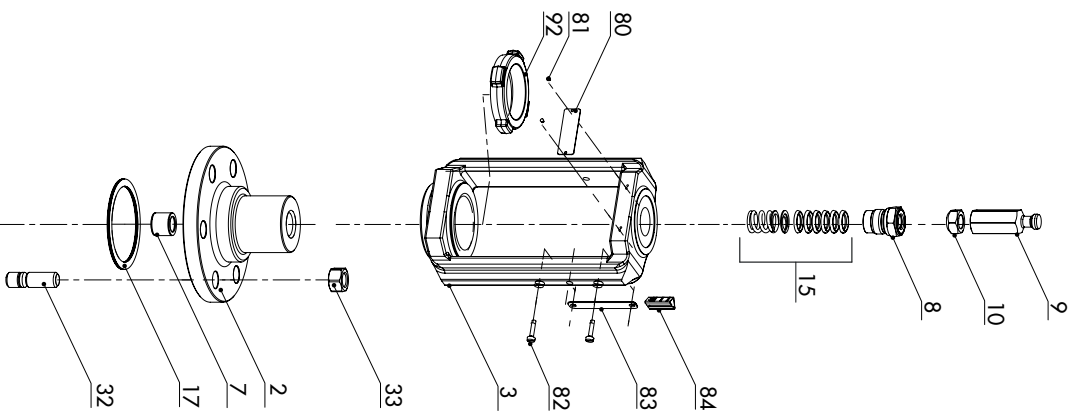
**EL 8093 EN**



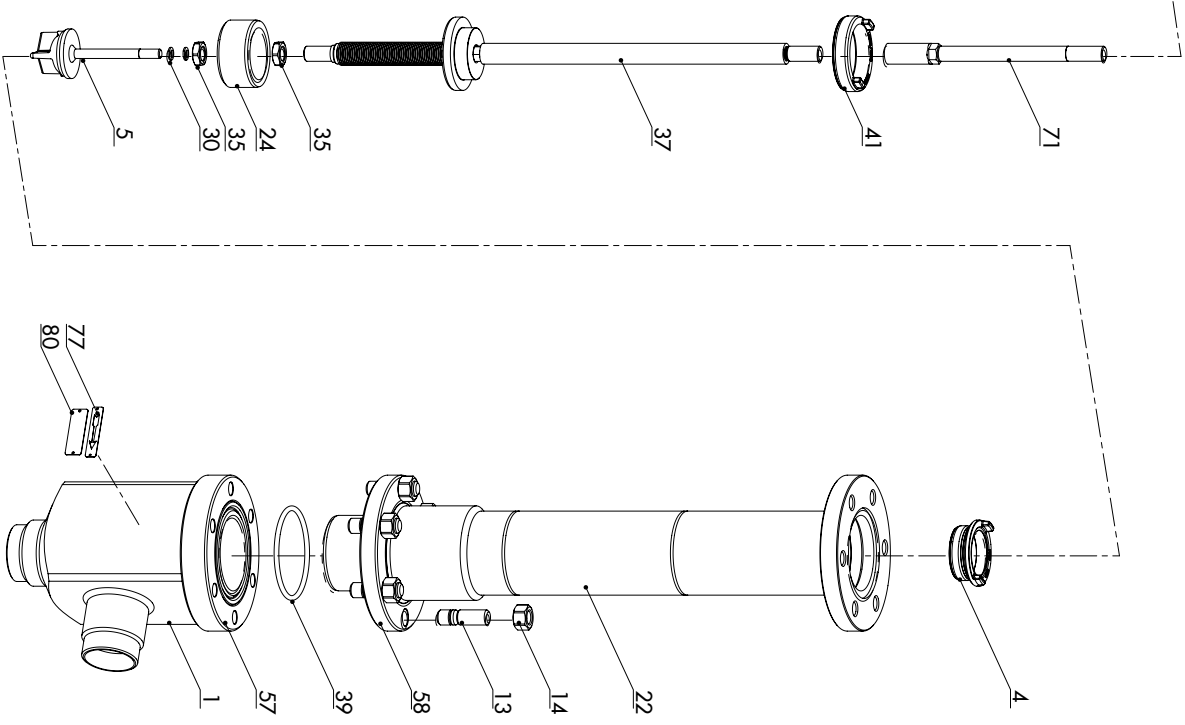
DN 15...150/PN 16...40



DN 25...100/PN 16...40



Angle valve with aluminum body



| <b>Spare part no.</b>                   | <b>Qty.</b> | <b>Filled in by<br/>SAMSON:<br/>material no.</b> |
|---|-------------|--|
| 1 Body                                  |             |  |
| 2 Valve bonnet                          |             |  |
| 3 Yoke                                  |             |  |
| <b>4 Seat</b>                           |             |  |
| <b>5 Plug (with plug stem)</b>          |             |  |
| 7 Guide bushing                         |             |  |
| <b>8 Threaded bushing (packing nut)</b> |             |  |
| 9 Stem connector nut                    |             |  |
| 10 Lock nut                             |             |  |
| 13 Stud bolt                            |             |  |
| 14 Body nuts                            |             |  |
| <b>15 Packing</b>                       |             |  |
| <b>17 Bonnet gasket</b>                 |             |  |
| 22 Bellows seal                         |             |  |
| <b>24 Guide bushing</b>                 |             |  |
| 27 Flange                               |             |  |
| 28 Clamping ring                        |             |  |
| <b>30 Retaining washers</b>             |             |  |
| 31 Washer                               |             |  |
| 32 Hex bolt                             |             |  |
| 33 Nut                                  |             |  |
| 34 Screw                                |             |  |
| 35 Lock nut                             |             |  |
| <b>37 Plug stem with metal bellows</b>  |             |  |
| 39 Seal                                 |             |  |
| 41 Slotted round nut                    |             |  |
| 42 Screw plug (test connection)         |             |  |
| 43 Seal                                 |             |  |
| 57 Flange                               |             |  |
| 58 Flange                               |             |  |
| <b>71 Spacer stem</b>                   |             |  |
| 77 Plate (direction of flow)            |             |  |
| 80 Nameplate                            |             |  |
| 81 Grooved pin                          |             |  |

| <b>Spare part no.</b>     | <b>Qty.</b> | <b>Filled in by<br/>SAMSON:<br/>material no.</b> |
|---------------------------|-------------|--|
| 82 Cap screw              |             |  |
| 83 Hanger                 |             |  |
| 84 Travel indicator scale |             |  |
| 92 Castellated nut        |             |  |
| 119 Support nut           |             |  |

Specifications subject to change without notice