

T 8390-5 EN

Type 3738-50 Electronic Limit Switch

With optional solenoid valve and FOUNDATION™ fieldbus communication



Application

Electronic limit switch for on/off applications to indicate the end position. Optionally with integrated solenoid valve.

Special features

- Automation of on/off valves
- Limit switch and optional integrated solenoid valve united in a compact housing or with commercially available external solenoid valves (Ex ia, Ex ic)
- Proven operation concept already used in Series 373x Positioners: menu-driven, on-site operation using one rotary pushbutton, display easy to read in any mounting position
- Trouble-free integration into existing systems
 - Forced venting 24 V DC
 - Intrinsically safe version
- Attachment
 - Rotary actuators according to VDI/VDE 3845
 - Linear actuators with NAMUR rib according to IEC 60534-6
- Compact mounting and simple operation
- Non-contact, wear-free travel sensor
 - Magneto-resistive sensor
 - No adjustment work necessary
 - Stable measured data and drift-free switching points
 - High level of accuracy
- Electronic limit switch powered over by FOUNDATION™ fieldbus (solenoid valve with low energy consumption of 6 V DC)
- Automatic initialization
- Diagnostic functions
 - Partial stroke test (PST)
 - Travel vs time diagram
 - Movement counter
 - Operating hours counter
 - Dead time and transit time measurement

Type 3738-20 Electronic Limit Switch with NAMUR contacts, see Data Sheet ▶ T 8390

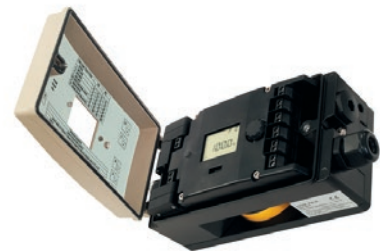


Fig. 1: Type 3738 Electronic Limit Switch with open cover



Fig. 2: Type 3738 mounted on a piston actuator



Fig. 3: Type 3738 mounted on a linear actuator

Versions

– Type 3738-50-xxx4x00xxx000 Electronic Limit Switch with integrated solenoid valve

The solenoid valve is integrated into the housing of the electronic limit switch. The electronic limit switch and the solenoid valve are powered by the connected FOUNDATION™ fieldbus two-wire cable according to IEC 61158-2.

The electronic limit switch can optionally be fitted with a **forced venting function**. This function is activated when the solenoid valve is de-energized after the power supply is interrupted, causing the actuator to move the control valve to its fail-safe position.

– Type 3738-50-xxx0x00xxx000 Electronic Limit Switch with external solenoid valve

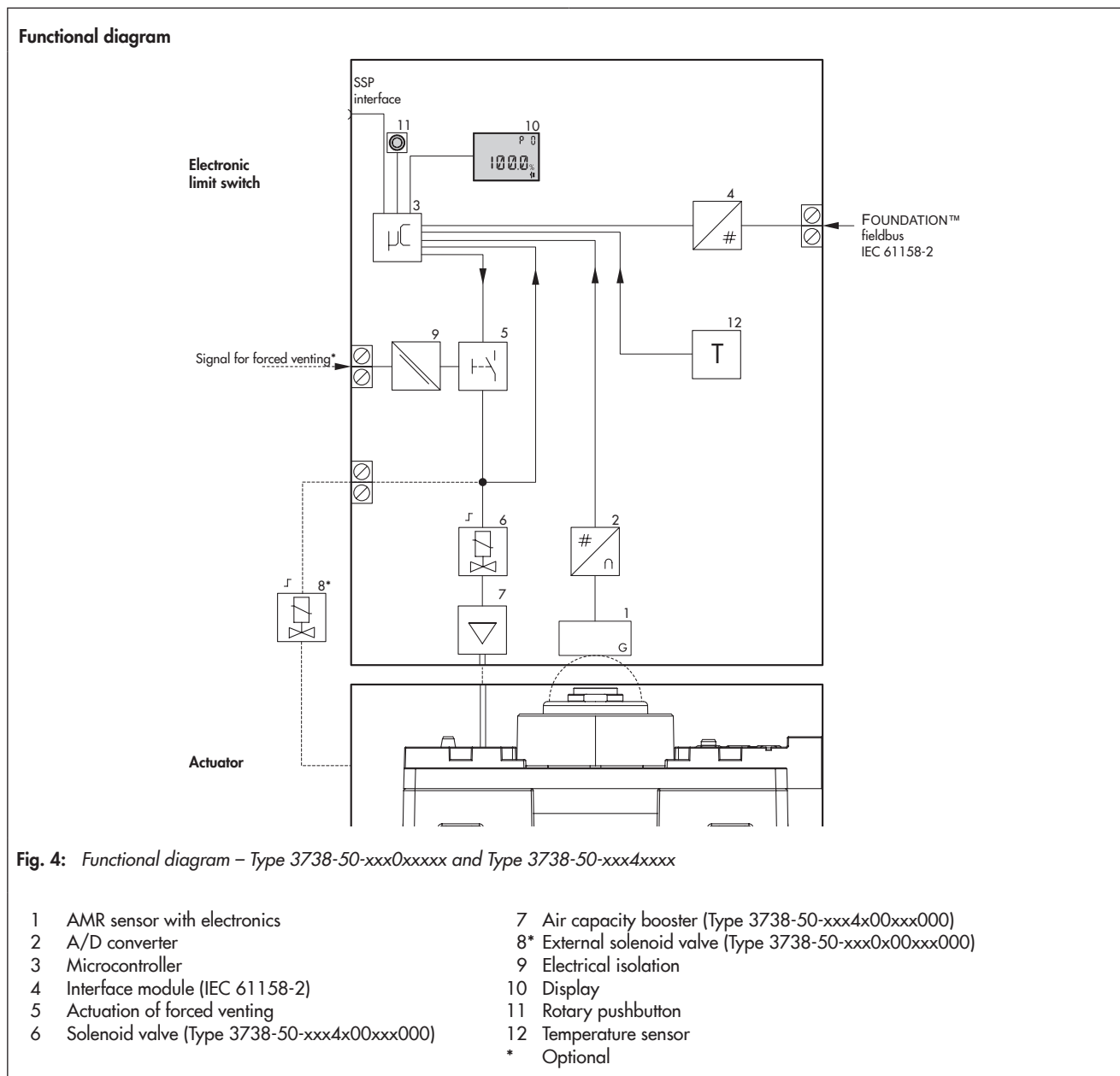
The electronic limit switch and the external solenoid valve are powered by the connected FOUNDATION™ fieldbus two-wire cable according to IEC 61158-2.

The electronic limit switch can optionally be fitted with an optional **forced venting function**. This function is activated when the solenoid valve is de-energized after the power supply is interrupted, causing the actuator to move the control valve to its fail-safe position.

Principle of operation

The electronic limit switch is designed for attachment to pneumatic actuators. The angle of rotation is measured without contact using a magnet (on a screw) positioned centrally on the actuator shaft. The screw with magnet does not need to be adjusted. The AMR (anisotropic magnetoresistive) sensor located in the device together with the measuring electronics (1) can detect the directional change of the applied magnetic field and, as a result, sense the rotation of the actuator.

The actuator is operated by a solenoid valve (6, 8) which converts the signal issued by the control system into a binary pressure signal.



Operation

A rotary pushbutton and LC display are used to operate the electronic limit switch on site. The functions for start-up, display readings and service functions are set over Codes (P0 to P28). When a fault occurs, a corresponding error code appears on the display.

SAMSON's TROVIS-VIEW can be used to operate the electronic limit switch. An SSP interface on the electronic limit switch allows it to be connected to a computer using an adapter cable.

The connection to the FOUNDATION™ fieldbus network allows the electronic limit switch to be started up from the control room. Optionally, the communication tools Enhanced Device Description (EDD) or Device Type Manager (DTM) can be implemented.

Attachment

- The electronic limit switch is mounted according to **VDI/VDE 3845**, fixing level 1 (2010) on rotary actuators using a mounting platform. Various mounting parts (accessories) are available depending on the follower shaft height of the rotary actuator. It is also possible to mount it onto a **PFEIFFER Type 31a Actuator (Edition 2020+)**. In this case, a hook-up is not necessary.
- Mounting kits for 15 to 120 mm rated travels are available for linear actuators with **NAMUR rib according to IEC 60534-6**. A solenoid valve with VDI/VDE 3847-1 interface can be fastened directly to electronic limit switches without integrated solenoid valve.

Pneumatic connections

The pipes and screw fittings must be mounted properly. They must be checked for leaks and damage at regular intervals and, if necessary, repaired. Before performing any repair work, air lines to be opened must be depressurized.

G 1/4 or 1/4 NPT threaded ports (depending on the device version) are used to connect the air pipes. Water and dirt is prevented from entering the exhaust ports or vent plugs by installing a filter or by other suitable measures.

Operation with pressure reducing valves: The K_{VS} coefficient of an upstream pressure reducing valve must be at least 1.6 times larger than that of the device.

Air pipe: The minimum nominal size of the air pipe must be a pipe with an inside diameter of ≥ 4 mm. A larger nominal size must be used for connection lengths longer than 2 m.

Operation with external solenoid valve: The input pressure at the external solenoid valve must not exceed the maximum supply pressure (refer to the specifications given by the solenoid valve manufacturer).

Electrical connections

The bus cable is directly connected to the bus terminals. Besides supplying the communication signal, this cable powers the microprocessor and solenoid valve.

Cable entry

The threaded connection for the terminal compartment is designed with an M20 x 1.5 thread.

The screw terminals are designed for wire cross-sections of 0.2 to 1.5 mm². Tighten by at least 0.5 Nm.

Table 1: Technical data of the electronic limit switch


Type	3738-50-xxx4x00xxx000		3738-50-xxx0x00xxxx00
Version	With integrated solenoid valve		For external solenoid valve
Permissible range of rotation	Min.: 0 to 30° · Max.: 0 to 170°		
Communication	Local	SAMSON SSP interface with serial interface adapter with TROVIS-VIEW with database module 3738-50	
	Bus	FOUNDATION™ fieldbus	
Supply air		2.4 to 8 bar	Same as specifications of the solenoid valve manufacturer
	Air quality	Acc. to ISO 8573-1 edition 2004 Max. particle size and density: Class 4 Oil content: Class 3 Pressure dew point: Class 3 or at least 10 K below the lowest ambient temperature to be expected	Same as specifications of the solenoid valve manufacturer
	Air consumption	In neutral position: <60 l/h In switching position: <30 l/h	
Electric power supply	Powered by FOUNDATION™ fieldbus		
Permissible ambient temperature	-25 to 80 °C		-40 to 80 °C
	Metal cable glands must be used for ambient temperatures below -20 °C. The limits specified in the examination certificate additionally apply.		
Influences	Temperature	±0.7 %/90° angle above the permissible temperature range	
	Influence of vibrations	0.25 % up to 2500 Hz and 4 g according to IEC 770	
Electromagnetic compatibility	Complying with EN 61000-6-2, EN 61000-6-3, EN 61326-1 and NAMUR Recommendation NE 21		
Electrical connections	M20 x 1.5 cable gland(s) for 6 to 12 mm clamping range, screw terminals for 0.2 to 2.5 mm ² wire cross-sections		
	*Without forced venting	One cable gland	Two cable glands
	*With forced venting	Two cable glands	Three cable glands
Explosion protection	See Table 3		
	Type 3738-50-000...	Without	
	Type 3738-50-110...	II 2G Ex ia IIC T6 and II 2D Ex ia IIIC T80°C IP66	
	Type 3738-50-810...	II 3G Ex ic IIC T4 and II 3G Ex nA II T4 and II 3D Ex tc IIIC T80°C IP66	
Degree of protection	IP 66		
Materials	Housing	Die-cast aluminum EN AC-ALSi12(Fe) (EN AC-44300) acc. to DIN EN 1706, powder paint coated	
	Housing cover	PC	
	Cover gasket	PU	
	Indicating wheel	PC	
	Magnet material	Hard ferrite	
Weight	Approx. 1.2 kg		Approx. 1.0 kg
Compliance			




Table 2: Technical data of solenoid valve

Integrated solenoid valve (Type 3738-50-xxx4x00xxx000)	
Version	3/2-way or 5/2-way function Function determined by the position of the molded seal
K _{VS} coefficient	0.32
Service life	1,000,000 switching cycles
Temperature range (operation)	-25 to +80 °C
External solenoid valve (Type 3730-50-xxx0x00xxx000)	
Read manufacturer's specifications!	
6 V DC, max. 18 mW	

Table 3: Technical data of optional forced venting

Input	0 to 30 V DC, reverse polarity protection · Static destruction limit: 40 V Current consumption: 3.5 mA at 24 V, galvanic isolation
Signal	'1' signal at $U_e > 5 \text{ V}$ · '0' signal at $U_e < 3 \text{ V}$

Table 4: Explosion protection certificates (SAMSON version only)

Type	Certification	Type of protection/comments
3738-50	-110  EC type examination certificate Number: PTB 08 ATEX 2039 X Date: 2012-07-19	II 2G Ex ia IIC T6; II 2D Ex ia IIIC T80°C IP66
	-310  EC type examination certificate Number: PTB 08 ATEX 2039 X Date: 2012-07-19	II 2G Ex eb[ia] IIC T4; II 2D Ex tb IIIC T80°C IP66
	-810  EC type examination certificate Number: PTB 08 ATEX 2039 X Date: 2012-07-19	II 3G Ex ic IIC T4; II 3G Ex nA II T4 Gc; II 3D Ex tc IIIC T80°C IP66

Electrical connections

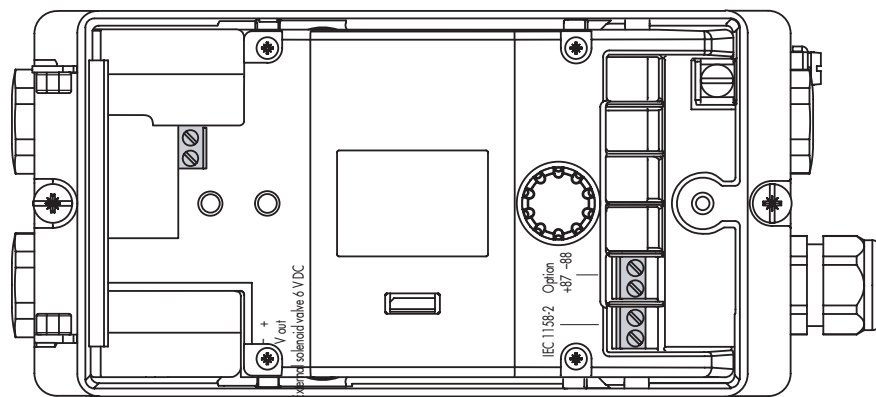


Fig. 5: Version with integrated solenoid valve (Type 3738-50-xxx4x00xxx000)

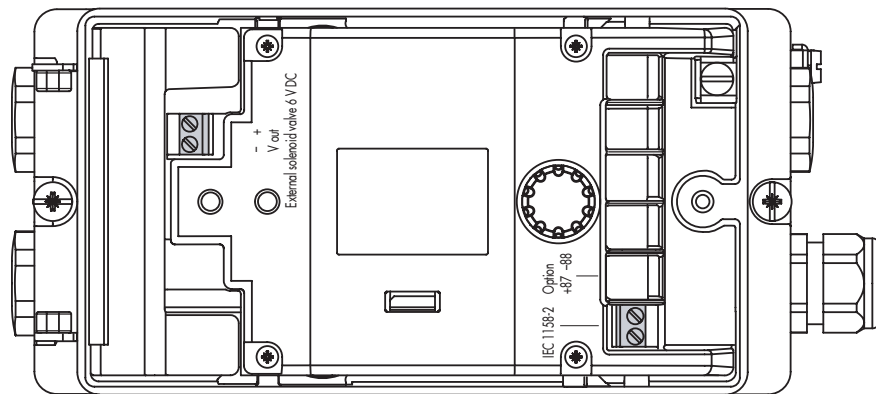
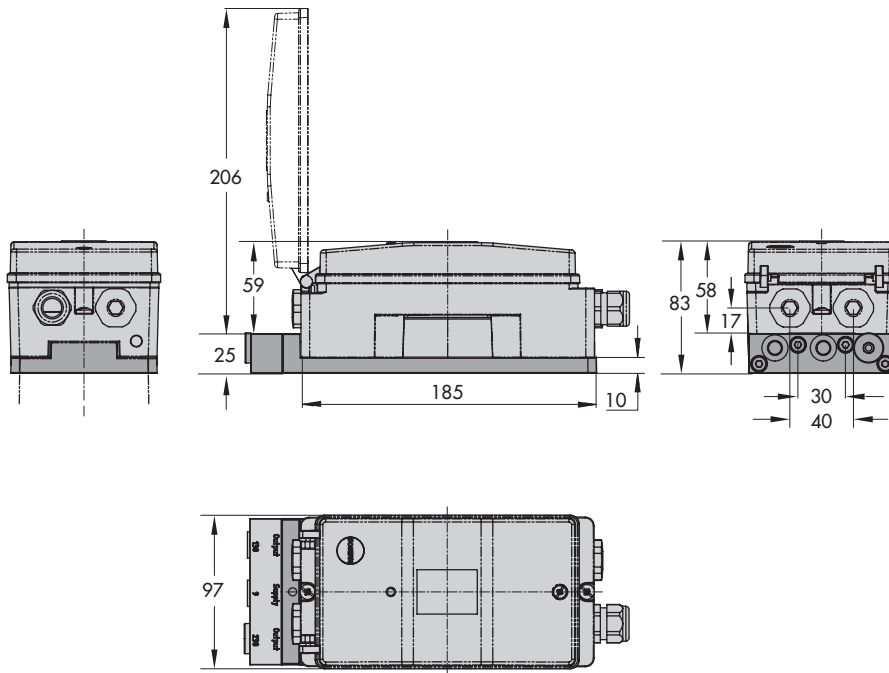
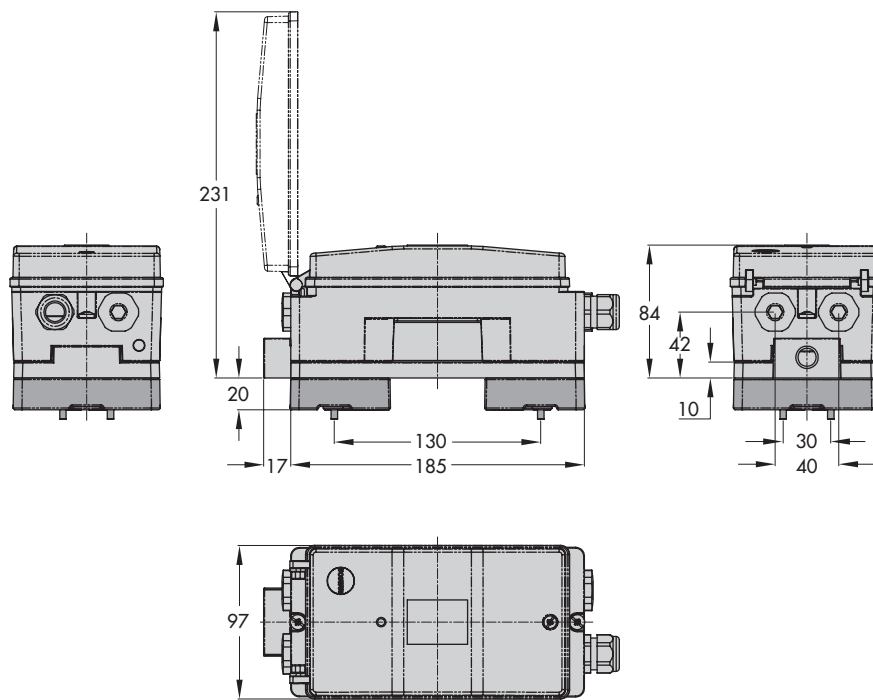


Fig. 6: Version with external solenoid valve (Type 3738-50-xxx0x00xxx000)

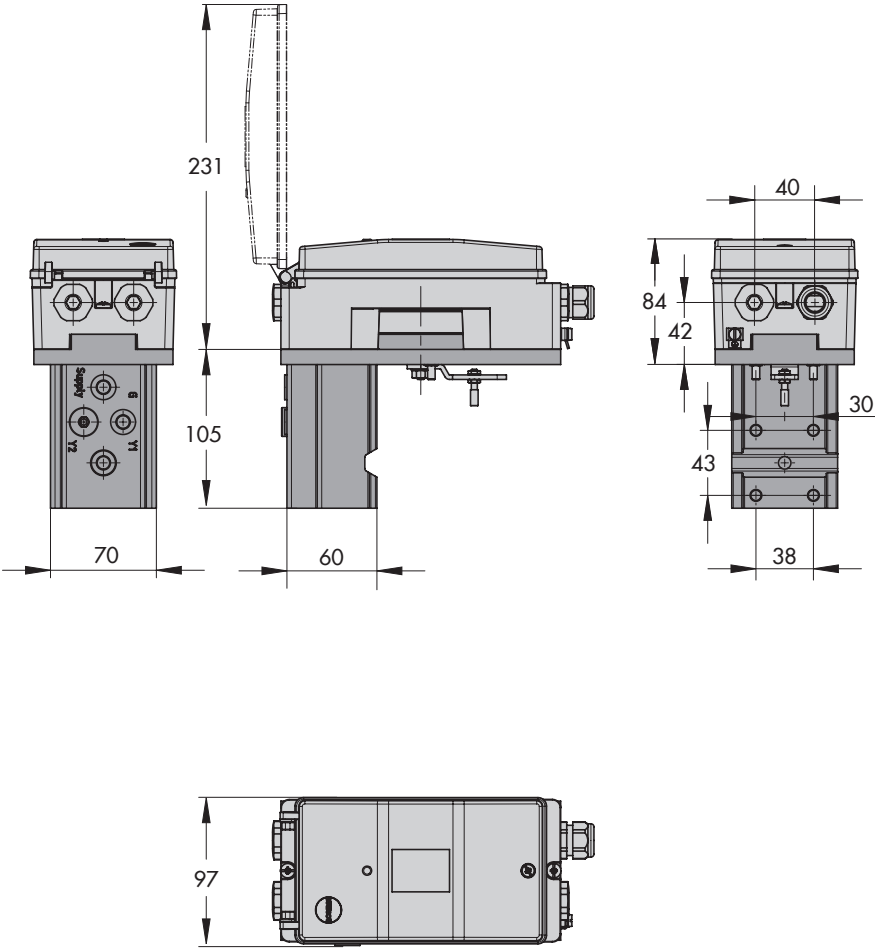


Dimensions for attachment to rotary actuators according to VDI/VDE 3845 using a mounting platform



Attachment to PFEIFFER Type 31a Actuator (Edition 2020+)

Dimensions in mm (all pneumatic connections in G 1/4 or 1/4 NPT)



Mounting onto linear actuators according to IEC 60534-6 (NAMUR)

Article code

Electronic Limit Switch	Type 3738-50-													
	x	x	x	x	x	0	0	x	1	x	0	0	x	0
With LCD														
Explosion protection														
Without	0	0	0											
II 2G Ex ia IIC T6; II 2D Ex ia IIIC T80°C IP66	1	1	0											
II 2G Ex eb[ia] IIC T4; II 2D Ex tb IIIC T80°C IP66	3	1	0											
II 3G Ex ic IIC T4; II 3G Ex nA II T4 Gc; II 3D Ex tc IIIC T80°C IP66	8	1	0											
Solenoid valve														
External, bus-powered					0									
Integrated, bus-powered					4									
Options														
Without					0									
Forced venting					1									
Company version														
SAMSON								0						
AIR TORQUE ¹⁾	0	0	0					1						
Cover														
Gray beige								0	0					
Black ¹⁾								0	1					
Silver gray ¹⁾								1	3					
Special applications														
Without													0	
Version compatible with paint													1	
Special version														
Without														0

¹⁾ No longer available after January 2018

Ordering text

Electronic limit switch	Type 3738-50
Explosion protection	With/without
Solenoid valve	Integrated/external
Company version	SAMSON/AIR TORQUE
Housing cover version	See article code
Special applications	
Mounting accessories	
TROVIS-VIEW	