



SAMSON SAMSOMATIC



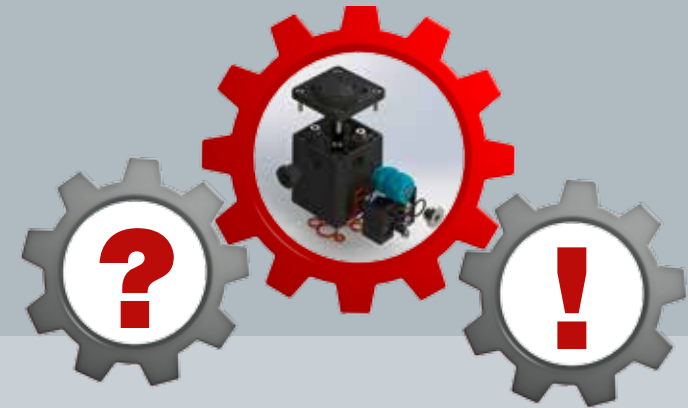
SAMSON SAMSOMATIC



Solenoid Valves
Expertise in engineering



● Production sites ● Subsidiaries



Solenoid Valves
Expertise in engineering

Solenoid valves

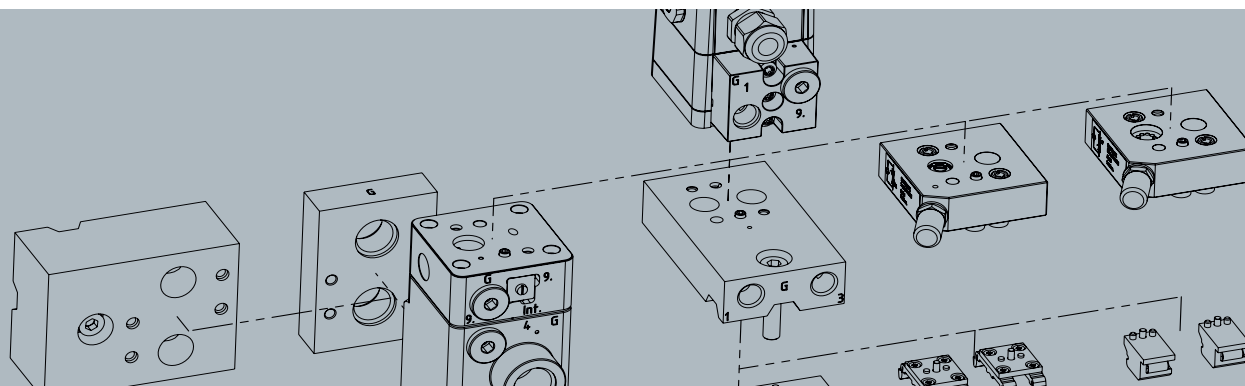
Your benefits at a glance:

- Use in hazardous areas
- SIL rating
- Extremely low power consumption
- Modular design allows for simple connection
- Energy efficient with a wide variety of options
- Highest level of safety and verified quality

For your notes:

SAMSOMATIC GMBH
Weismuellerstrasse 20 – 22 · 60314 Frankfurt am Main, Germany
Phone: +49 69 4009-0 · Fax: +49 69 4009-1644
E-mail: samsomatic@samsomatic.de · Internet: www.samsomatic.de

2017-02 · WA378 EN



What you can expect from us:

■ Consultation and planning

We support you right from the start with consulting, planning, and project management services.

■ Trusted partner

We continue to support you as a trusted partner during start-up and service work.

■ Reliable control solutions

Our engineering experts work closely together in competence teams to provide you with reliable control solutions.

■ 100% quality control

All devices are manufactured and subjected to 100% quality control by trained and experienced staff at our headquarters in Frankfurt am Main, Germany.

We know what you want

We involve our customers in the development process of products.

At SAMSOMATIC, customer proximity starts long before a product is finished. We value your feedback to continuously improve and extend our product range to meet your control requirements.

Do you have any further questions?

Contact us:



+49 69 4009-4377

components_technical_support@samsomatic.de

components_sales_support@samsomatic.de

